



wine cabinets  
2012 -2013

design.living



The history of wine is said to go back around 10,000 years, when it was first produced in Georgia near the Caspian Sea. Since that time, wine has remained essentially the same – although it is now produced in over 70 countries and enjoyed worldwide.

Today's method of production is a far cry from those classical days. And now Caple are bringing the storage of wine bang up to date too, with a range of sophisticated wine cabinets that take the utmost care of your collection.

## Contents

Key features	4
Storing both bottles and cans	10
Which cabinet is right for you	12
Sense range	14
Undercounter Cabinets	20
In-column Cabinets	28
Freestanding Cabinets	32
Classic range	36
Undercounter Cabinets	40
In-column Cabinets	48
Freestanding Cabinets	54
Our guarantees	63

The secret to a fine wine collection is to experiment. It's not just exciting, it can also find you some gems. Why not try 'off the map' wines from non-traditional wine producing areas? Once you've discovered one that tickles your palette your Caple wine cabinet will look after it perfectly.



Oenophile (wine lover) is not a word you hear much. But as a company that's passionate about all wines – from a full Sicilian Frappato, to a lively Spanish Albariño or a crisp Taittinger served at a perfect six degrees – we are happy for it to be applied to us.

That is why it comes naturally to our designers to create advanced, whisper-quiet wine cabinets that help you take care of your precious bottles. And which look fabulous in your home.

## a perfect wine every time

What is a good wine? It's simple; one that you enjoy. Whether you buy from an auction, or a supermarket, your palette will always be the best judge. Whatever your favourites, to maintain the unique qualities of different wines you need to store them in a controlled environment – just as the winemaker does from the vineyard to the cellar.

### The right temperature

#### To store

All wine should be stored at 12°C-14°C whether red or white. Our cabinets simulate cellar conditions – dark, still, humid and a constant temperature.

#### To serve

For rosés and whites it's 8°C-14°C. For sparkling wines it's 6°C-10°C. Full reds need 16°C-18°C, whereas lighter ones are best at 13°C-16°C. For some wine cabinets this temperature variation is a problem. However, Caple cabinets can offer multiple zones that keep all your wines at the perfect temperature for storing or better still, serving.



Wine is sensitive and reacts badly to fluctuating temperatures. Every Caple wine cabinet maintains the correct temperature around the clock – so your taste buds are never disappointed.




### Compressor cooling means consistent quality

Many cabinets use thermo electric technology, which only cools your wine to 15°C below the room's ambient temperature. This means that on a warm day of 25°C the cabinet can only cool down to 10°C, leaving your wine at the mercy of fluctuating temperatures.

Caple wine cabinets use an innovative, quiet, compressor cooling system. This gives you absolute control of the temperature in the cabinet, whether it's a boiling summer's day or a freezing winter night. The result? Wines that retain all the complexity of taste you treasure.



Serving wine is an art in itself. Still wine should be poured slowly into the centre of the glass, while sparkling wine should be poured down the side. Don't be tempted to fill glasses to the brim. By serving two thirds full you allow room for your guests to swirl their wine and release its delicious aromas.



When air gets into a bottle it affects the taste of your wine. Bottles should always be stored on their side so the wine moistens the cork. This provides a tight air seal to keep in the heady flavours.



Our wine cabinets incorporate simple, yet effective design elements to make sure nothing spoils the enjoyment of your wine.



#### Do not disturb

The slightest vibration or change in humidity can affect a wine's taste. We use anti-vibration gaskets and low vibration compressors so the sediment balance is undisturbed. Taking care of the cork is important also, to prevent mould and odours. Our cabinets' ideal humidity of 65% or more keeps every cork in perfect condition.

#### Laying down

Ullage is the space between the cork and the wine. Hold your bottle upright. If the ullage starts at the upper shoulder then your wine will keep best if laid on its side. Caple wine cabinets provide you with ample shelving for bottles to be stored either on a single level so they are easy to remove, or stacked for longer storage.



#### Lighting for longevity

Ultraviolet light causes 'light strike', or premature wine ageing, so direct sunlight and fluorescent light need to be avoided. Our white LED lighting shows off your collection beautifully and is completely UV and heat free.

Your kitchen is far more than a food preparation area. It's the heart of your home; somewhere you spend precious time with family and friends. Our wine cabinets are stylish additions to this space – elegant, versatile and designed for the serious entertainer.

## entertainment centre

Many of our wine cabinets let you do more than just store and chill wine. They look great whether stylish in-column or convenient under counter. Our extensive range also includes those with optional frosted glass shelf packs. These are designed to hold other drinks like beer, soft drinks or pre-mixed cans at a cool 3°C to 5°C.

For parties, you can chill anything from punch and cocktails to mixers and soft drinks. This gives you the added bonus of freeing up space in your fridge – always at a premium when entertaining.





Sometimes there's nothing more refreshing than a long, cool beer. Think hot summer barbecues with friends or after a hard day in the garden. With one of our wine cabinets sitting stylishly in your kitchen you can have a plentiful supply of perfectly chilled beer, cider or pre-mixed drinks.

Caple wine cabinets offer many advanced features and come in a range of styles to help you store and present your wine the way you want. Here are some things to consider before you make your choice.

## spoilt for choice

### **A style of your own**

How will it look with your existing appliances? Do you want it to stand out or blend in? Is your home classic or modern? Our new in-column range will make your wine cabinet a talking point, while our premium Sense range provides a subtle sophistication with its black glass styling. Or our stainless steel collection feels fresh and contemporary.

### **Location, location, location**

A Caple wine cabinet looks good wherever you put it – your kitchen, garage or even in an under stairs cupboard – although it's a shame to hide it away.

You can choose from a range of shapes and sizes to fit the space you have available. Do you want the streamlined look of a built-in undercounter model? The convenience of an in-column version? Or the flexibility of a movable, freestanding cabinet?



### Storage and capacity

The number of temperature zones you need depends on a number of factors. Do you buy red, white, rosé, sparkling or a mixture? How many bottles? Would you like to chill other drinks?

A dual zone model gives you more flexibility. It's useful if, for instance, you keep red and white wine at different serving temperatures, or white wine for both storage and serving.

Based on the straight sides and tall shoulders of Bordeaux style wine bottles, Caple wine cabinets come in a range of sizes. From a handy seven bottle version to an impressive 155 bottle cabinet if you are a serious collector.

## sense range

Whatever space you have we can fill it beautifully.

Sophisticated and smart with an exclusive appeal. Smoked glass, UV/heat-free white LEDs and stainless steel handles make this range discreet and irresistible.





Every aspect of the design has been considered, none more so than the noise output, which has an impressively low maximum volume of 45dB(A), whilst our space-saving 15cm model is whisper-quiet, rating a mere 40dB(A).



Smartly combining black glass and stainless steel, Sense wine cabinets are the epitome of subtle style. Neatly built-in beneath your kitchen counter these sleek wine cabinets complement the clean lines of a modern kitchen.



#### Stainless steel plinth grille

Discreet yet stylish stainless steel grilles blend seamlessly with your kitchen, whilst providing the necessary ventilation to protect both your wine cabinet, and more importantly – your wine. Supplied with all Sense models except Wi152.

Sense wine cabinets offer you style and functionality in perfect balance. A range of smart features and even smarter looks makes these cabinets a tasteful addition to any home – in more ways than one.



#### Dark wooden, space-saver shelves

The easy-slide, dark wooden shelves are non-scratch so as not to damage bottle labels. Their slatted, design secures bottles in position and lets you overlap them to make the most of storage space (excluding Wi152).



#### Practical and neat recessed design

Sense undercounter wine cabinets have a recessed design that fits neatly behind a standard kitchen plinth (excluding Wi152).



#### Plinth grilles provide the finishing touch

Stylish, stainless steel, plinth grilles can be used with any Sense undercounter wine cabinet. They neatly cover the ventilation hole in the plinth and blend in with your kitchen décor. Supplied with all models except Wi152.

### Optional glass shelves for extra versatility

Prepare for parties by upgrading with a pack of three frosted glass shelves. These cleverly convert your cabinet to chill beer, soft drinks and pre-mixed drink cans. Available with selected wine cabinets.



### LED display and electronic temperature control

All models are electronically controlled with an LED temperature display. Selected Sense wine cabinets allow you to choose a temperature from 3°C-18°C. Wine should be stored between 12°C-14°C, whilst the lower settings are ideal for chilling cans if you have an optional glass shelf pack.

# sense undercounter cabinets





## Sense Wi6225

Undercounter dual zone wine cabinet

W 595mm



### Key Features

No frost compressor cooling technology maintains a consistent temperature

Dual side-by-side temperature zones, independently controlled (both zones suitable for either red or white wine)

Electronic temperature control and LED display

Temperature range 3°C-18°C (both zones)

Converts into a can chiller using 3°C setting and optional glass shelving

UV/heat-free white LED lighting (switchable)

100% CFC/HFC free

Stores max. 38 Bordeaux style wine bottles 750ml (19 bottles per zone)

Vibration free

### General features

Black glass doors with gloss black door frame  
 Fan circulated cool air for even temperature distribution  
 Quiet operation 42dB(A)  
 5 Sliding shelves and 1 base shelf per zone  
 Stainless steel, black-spot feature bar handles  
 Dark wooden shelves  
 Glass shelf pack available to convert either zone into a can chiller  
 Toughened UV protected glass  
 2 humidity control water tanks  
 Black cabinet interior and exterior  
 Recessed for fitting furniture plinth  
 Supplied with stainless steel universal plinth grille W 525mm

### Performance

Energy class B  
 Energy consumption 195kWh/y  
 Ambient temperature 5°C-32°C  
 Humidity range >65%RH

### Capacity

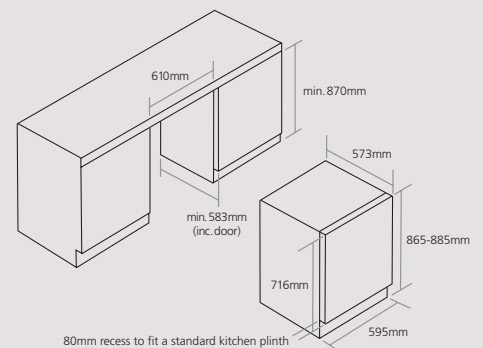
4.20 Cu ft/119 Litre total net capacity  
 4.73 Cu ft/134 Litre total gross capacity

### Optional extras

3 frosted glass shelves with black plastic trim GSHELFPACK/300

### Undercounter installation

Recessed to fit a furniture plinth (shown above)  
 H 55mm vent slot required in plinth for air ventilation



## Sense Wi6126

Undercounter dual zone wine cabinet

W 595mm



### Key Features

No frost compressor cooling technology maintains a consistent temperature

Dual stacked temperature zones – independently controlled (upper zone white wine, lower zone red wine)

Electronic temperature control and LED display

Temperature range upper white zone 5°C-10°C, lower red zone 10°C-18°C

UV/heat-free white LED lighting (switchable)

100% CFC/HFC free

Stores max. 46 Bordeaux style wine bottles 750ml (16 white and 30 red bottles)

Vibration free

### General features

Black glass door with gloss black door frame  
 Fan circulated cool air for even temperature distribution  
 Heater raises internal temperature when external temperature drops  
 Quiet operation 43dB(A)  
 Reversible door  
 White wine zone has 2 sliding shelves  
 Red wine zone has 3 sliding shelves and 1 base shelf  
 Stainless steel, black-spot feature bar handle  
 Dark wooden shelves  
 Toughened UV protected glass  
 2 humidity control water tanks  
 Black cabinet interior and exterior  
 Recessed for fitting furniture plinth  
 Supplied with stainless steel universal plinth grille W 525mm

### Performance

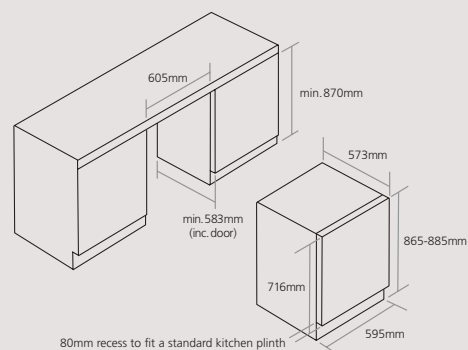
Energy class B  
 Energy consumption 198kWh/y  
 Ambient temperature 5°C-32°C  
 Humidity range >65%RH

### Capacity

4.73 Cu ft/134 Litre total net capacity  
 5.79 Cu ft/164 Litre total gross capacity

### Undercounter installation

Recessed to fit a furniture plinth (shown above)  
 H 55mm vent slot required in plinth for air ventilation



## Sense Wi6115

Undercounter single zone wine cabinet

W 595mm



### Key Features

No frost compressor cooling technology maintains a consistent temperature

Single temperature zone stores either red or white wine

Electronic temperature control and LED display

Temperature range 3°C-18°C

Converts into a can chiller using 3°C setting and optional glass shelving

UV/heat-free white LED lighting (switchable)

100% CFC/HFC free

Stores max. 46 Bordeaux style wine bottles 750ml (8 bottles per sliding shelf, 6 bottles per base shelf)

Vibration free

### General features

Black glass door with gloss black door frame  
Fan circulated cool air for even temperature distribution  
Quiet operation 42dB(A)  
Reversible door  
5 Sliding shelves and 1 base shelf  
Stainless steel, black-spot feature bar handle  
Dark wooden shelves  
Glass shelf pack available to convert into a full or part can chiller  
Toughened UV protected glass door  
1 humidity control water tank  
Black cabinet interior and exterior  
Recessed for fitting furniture plinth  
Supplied with stainless steel universal plinth grille W 525mm

### Performance

Energy class B  
Energy consumption 186kWh/y  
Ambient temperature 5°C-32°C  
Humidity range >65%RH

### Capacity

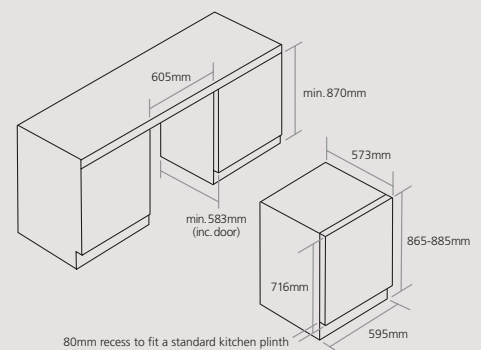
5.15 Cu ft/146 Litre total net capacity  
5.79 Cu ft/164 Litre total gross capacity

### Optional extras

3 frosted glass shelves with black plastic trim GSHELFPAK/600

### Undercounter installation

Recessed to fit a furniture plinth (shown above)  
H 55mm vent slot required in plinth for air ventilation





## Sense Wi3116

Undercounter single zone wine cabinet

W 295mm



### Key Features

No frost compressor cooling technology maintains a consistent temperature

Single temperature zone stores either red or white wine

Electronic temperature control and LED display

Temperature range 3°C-18°C

Converts into a can chiller using 3°C setting and optional glass shelving

UV/heat-free white LED lighting (switchable)

100% CFC/HFC free

Stores max. 19 Bordeaux style wine bottles 750ml

Vibration free

### General features

- Black glass door with gloss black door frame
- Fan circulated cool air for even temperature distribution
- Quiet operation 41dB(A)
- Reversible door
- 5 Sliding shelves and 1 base shelf
- Stainless steel, black-spot feature bar handle
- Dark wooden shelves
- Glass shelf pack available to convert into a full or part can chiller
- Toughened UV protected glass door
- 1 humidity control water tank
- Black cabinet interior and exterior
- Recessed for fitting furniture plinth
- Supplied with stainless steel universal plinth grille W 250mm

### Performance

- Energy class B
- Energy consumption 184kWh/y
- Ambient temperature 5°C-32°C
- Humidity range >65%RH

### Capacity

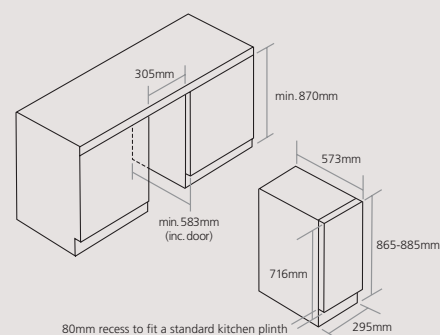
- 2.12 Cu ft/60 Litre total net capacity
- 2.33 Cu ft/66 Litre total gross capacity

### Optional extras

- 3 frosted glass shelves with black plastic trim GSHELFPAK/300

### Undercounter installation

Recessed to fit a furniture plinth (shown above)  
H 75mm vent slot required in plinth for air ventilation



## Sense Wi152

Undercounter single zone wine cabinet

W 145mm



### Key Features

No frost compressor cooling technology maintains a consistent temperature

Single temperature zone stores either red or white wine

Electronic temperature control and LED display

Temperature range 5°C-18°C

UV/heat-free white LED lighting (switchable)

100% CFC/HFC free

Stores max. 7 Bordeaux style wine bottles 750ml

Not suitable for some champagne bottles

Vibration free

### General features

- Black glass door with gloss black door frame
- Fan circulated cool air for even temperature distribution
- Air ventilation through plinth
- Quiet operation 40dB(A)
- Reversible door
- Stainless steel, black-spot feature bar handle
- 6 Black wire shelves and 1 base shelf
- Toughened UV protected glass door
- Black cabinet interior and exterior
- Black ventilation grille

### Performance

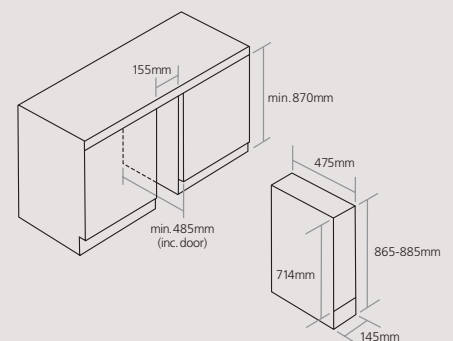
- Energy class B
- Energy consumption 155kwh/y
- Ambient temperature 5°C-32°C
- Humidity range >65%RH

### Capacity

- 0.67 Cu ft/19 Litre total net capacity
- 0.78 Cu ft/22 Litre total gross capacity

### Undercounter installation

Black grille for air ventilation





### A lot of Sense

Sense wine cabinets are part of the exclusive Sense range of appliances. While they look stunning on their own, the individual appliances are designed to sit together beautifully in your home. If you are looking to complement your new wine cabinet with a hob, oven, microwave or extraction hood, we can give you the perfect partner.

Check out [www.cuple.co.uk](http://www.cuple.co.uk) for more information on this smartly designed range.



sense in-column cabinets



## Sense WC6216

In-column dual zone wine cabinet

H 885mm



### Key Features

No frost compressor cooling technology maintains a consistent temperature

Dual stacked temperature zones – independently controlled (upper zone white wine, lower zone red wine)

Temperature range upper white zone 5°C-10°C, lower red zone 10°C-18°C

Electronic temperature control and LCD display

Heater raises internal temperature when external temperature drops

UV/heat-free white LED lighting (switchable)

100% CFC/HFC free

Stores max. 42 Bordeaux style wine bottles 750ml (18 white bottles on upper zone, and 24 red bottles on lower zone)

Vibration free

### Features

- Black glass door with gloss black door frame
- Fan circulated cool air for even temperature distribution
- Quiet operation 43dB(A)
- Reversible door
- 2 Humidity control water tanks
- White wine zone has 3 sliding shelves
- Red wine zone has 3 sliding shelves and 1 base shelf
- Stainless steel, black-spot feature bar handle
- Dark wooden shelves
- Toughened UV protected glass door
- Black cabinet interior and exterior
- Audible door alarm when left open

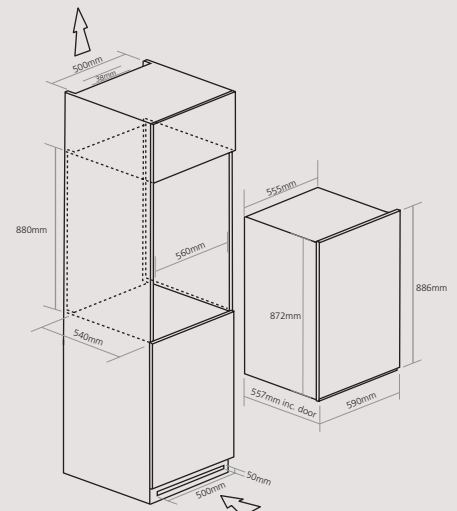
### Performance

- Energy class B
- Energy consumption 196kWh/y
- Ambient temperature 5°C-32°C
- Humidity range >65%RH

### Capacity

- 4.13 Cu ft/117.1 Litre total net capacity
- 4.94 Cu ft/140 Litre total gross capacity

### In-column installation



## Sense WC6112

In-column single zone wine cabinet

H 455mm



### Key Features

- No frost compressor cooling technology maintains a consistent temperature
- Single temperature zone for red or white wine
- Electronic temperature control and LCD display
- Temperature range 4°C-18°C
- UV/heat-free white LED lighting (switchable)
- 100% CFC/HFC free
- Stores max. 22 Bordeaux style wine bottles 750ml
- Vibration free
- Audible door alarm when left open

### General features

- Black glass door with gloss black door frame
- Fan circulated cool air for even temperature distribution
- Quiet operation 43dB(A)
- Reversible door
- 1 humidity control water tank
- 3 sliding shelves and 1 base shelf
- Stainless steel, black-spot feature bar handle
- Dark wooden shelves
- Toughened UV protected glass door
- Black cabinet interior and exterior

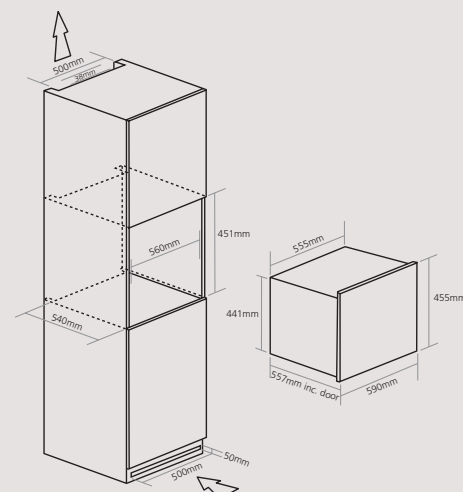
### Performance

- Energy class B
- Energy consumption 187kWh/y
- Ambient temperature 5°C-32°C
- Humidity range >65%RH

### Capacity

- 1.91 Cu ft/54 Litre total net capacity
- 2.08 Cu ft/59 Litre total gross capacity

### In-column installation







# sense freestanding cabinets



**Sense WF1547**

Freestanding triple zone wine cabinet

H 1762mm



**Key Features**

- No frost compressor cooling technology maintains a consistent temperature
- Triple stacked temperature zones for red, white or sparkling wine, independently controlled:
  - Upper zone temperature range 5°C-18°C
  - Middle zone temperature range 5°C-12°C
  - Lower zone temperature range 12°C-18°C
- UV/heat-free white LED lighting (switchable)
- Electronic temperature control and LED display
- 2 Heaters raise internal temperature when external temperature drops
- 100% CFC/HFC free
- Stores max. 132 Bordeaux style wine bottles 750ml (43 bottles on upper zone, 45 bottles on middle zone and 44 bottles on lower zone)
- Vibration free

**Features**

- Black glass door with gloss black door frame
- Fan circulated cool air for even temperature distribution
- Air ventilation through black base plinth
- Quiet operation 45dB(A)
- 3 Humidity control water tanks
- Reversible door
- Door lock
- Upper zone has 1 sliding shelf and 1 display shelf
- Middle zone has 2 sliding shelves and 1 display shelf
- Lower zone has 3 sliding shelves and 1 base shelf
- Stainless steel, black-spot feature bar handle
- Dark wooden shelves
- Toughened UV protected glass door
- Black cabinet interior and exterior

**Performance**

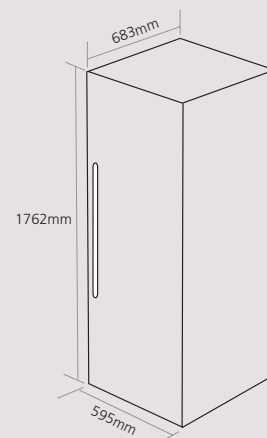
- Energy class D
- Energy consumption 337kWh/y
- Ambient temperature 5°C-32°C
- Humidity range >65%RH

**Capacity**

- 14.23Cu ft/404 Litre total net capacity
- 15.86 Cu ft/449 Litre total gross capacity

**Freestanding installation**

- Can be moved from room to room as required
- Black plinth for air ventilation





Power  Light  Run

14 °C Upper

12 °C Middle

Set Upper  Set Middle



A glass of red wine sits on a white countertop. To the right, a stainless steel refrigerator handle is visible. The background is a light, neutral color.

## classic range

A modern, stylish addition – as discreet or bold as you wish.

Looking for a clean, contemporary finish? This range features a blend of stainless steel and glass, combining beautifully with natural beech wood shelves. Match the cabinet of your choice with other stainless steel appliances for a sleek, hi-tech theme.



Power  Run  Upper  Lower   
Light  5 °C 10 °C

cople

With an array of practical features to complement their exceptional looks, our stainless steel models offer all you could want in a wine cabinet.



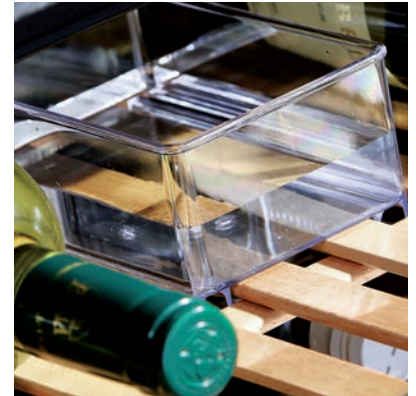
#### Temperature control and LED display

Our Stainless Steel range allows you to set the temperature from 5°C-18°C, depending on the model. Temperature is controlled electronically within most models (for accuracy and consistency), so you can change it to match your wine. An LED panel gives you at-a-glance views of current and set temperatures.



#### Space-saving beech shelves

The easy-slide, beech shelves are non-scratch so as not to damage bottle labels. Their slatted design secures bottles in position and lets you overlap them efficiently to make the most of storage space (excluding Wi153).



#### Increased control with a humidity water tank

A humidity controlling water tank on the top shelf of each zone lets you increase humidity if required.



#### Stainless steel plinth provides the finishing touch

A stylish height adjustable stainless steel plinth lets you blend undercounter and freestanding cabinets seamlessly with your décor.



#### Display shelves present your wine

Our large freestanding cabinets feature sturdy pull-out shelves on telescopic rails so you can easily see the labels.



#### Peace of mind with door locks

A wine collection is a precious thing. Our largest freestanding models are fitted with a door lock for peace of mind that your wine is safe and out of the reach of children.

Our elegant range of stainless steel wine cabinets features undercounter, in-column and freestanding designs. There's bound to be one to suit your space.

# classic undercounter cabinets







**Wi6224**

Undercounter dual zone wine cabinet

W 595mm

**Key Features**

No frost compressor cooling technology maintains a consistent temperature

Dual side-by-side temperature zones for red or white wine, independently controlled

Electronic temperature control and LED display

Temperature range 5°C-18°C (both zones)

Converts into can chiller using 5°C setting and optional glass shelving

UV/heat-free white LED lighting (switchable)

100% CFC/HFC free

Stores max. 38 Bordeaux style wine bottles 750ml (19 bottles per zone)

Vibration free

**General features**

One piece stainless steel doors  
 Fan circulated cool air for even temperature distribution  
 Air ventilation through height adjustable stainless steel plinth  
 Quiet operation 42dB(A)  
 2 Humidity control water tanks  
 5 Sliding shelves and 1 base shelf per zone  
 Curved stainless steel handles  
 Glass shelf pack available to convert either zone into a can chiller  
 Stainless steel fronted beech shelves  
 Toughened UV protected glass door  
 Black cabinet interior and exterior

**Performance**

Energy class B  
 Energy consumption 195kWh/y  
 Ambient temperature 5°C-32°C  
 Humidity range >65%RH

**Capacity**

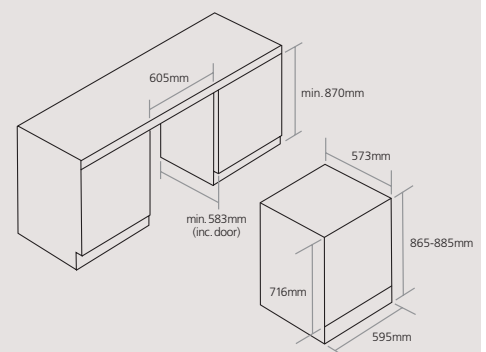
4.20 Cu ft/119 Litre total net capacity  
 4.73 Cu ft/134 Litre total gross capacity

**Optional extras**

3 frosted glass shelves with black plastic trim GSHELFPACK/300

**Undercounter installation**

Stainless steel plinth for air ventilation



**Wi6125**

Undercounter dual zone wine cabinet

W 595mm

**Key Features**

No frost compressor cooling technology maintains a consistent temperature

Dual stacked temperature zones (1 for red and 1 for white wine), independently controlled

Temperature range white zone 5°C-10°C, red zone 10°C-18°C

Fan circulated cool air for even temperature distribution

Electronic temperature control and LED display

UV/heat-free white LED lighting (switchable)

100% CFC/HFC free

Stores max. 46 Bordeaux style wine bottles 750ml (16 white bottles on upper shelves and 30 red bottles on lower shelves)

Vibration free

**Features**

One piece stainless steel door  
 Heater raises internal temperature when external temperature drops  
 Air ventilation through height adjustable stainless steel plinth  
 Quiet operation 43dB(A)  
 Reversible door  
 2 Humidity control water tanks  
 White wine zone has 2 sliding shelves  
 Red wine zone has 3 sliding shelves and 1 base shelf  
 Curved stainless steel handle  
 Stainless steel fronted beech shelves  
 Toughened UV protected glass door  
 Black cabinet interior and exterior

**Performance**

Energy class B  
 Energy consumption 198kWh/y  
 Ambient temperature 5°C-32°C  
 Humidity range >65%RH

**Capacity**

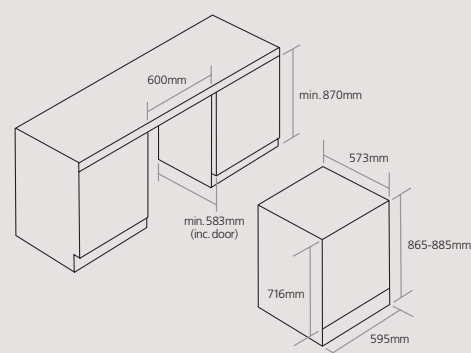
4.73 Cu ft/134 Litre total net capacity  
 5.79 Cu ft/164 Litre total gross capacity

**Optional extras**

3 frosted glass shelves with black plastic trim GSHELFPAK/600

**Undercounter installation**

Stainless steel plinth for air ventilation



**Wi6114**

Undercounter single zone wine cabinet

W 595mm

**Key Features**

No frost compressor cooling technology maintains a consistent temperature

Single temperature zone stores either red or white wine

Electronic temperature control and LED display

Temperature range 5°C-18°C

Converts into can chiller using 5°C setting and optional glass shelving

UV/heat-free white LED lighting (switchable)

100% CFC/HFC free

Stores max. 46 Bordeaux style wine bottles 750ml (8 bottles per sliding shelf, 6 bottles per base shelf)

Vibration free

**Features**

One piece stainless steel door  
 Fan circulated cool air for even temperature distribution  
 Air ventilation through height adjustable stainless steel plinth  
 Quiet operation 42dB(A)  
 Reversible door  
 1 Humidity control water tank  
 5 Sliding shelves and 1 base shelf  
 Curved stainless steel handle  
 Glass shelf pack available to convert into a full or part can chiller  
 Stainless steel fronted beech shelves  
 Toughened UV protected glass door  
 Black cabinet interior and exterior

**Performance**

Energy class B  
 Energy consumption 186kWh/y  
 Ambient temperature 5°C-32°C  
 Humidity range >65%RH

**Capacity**

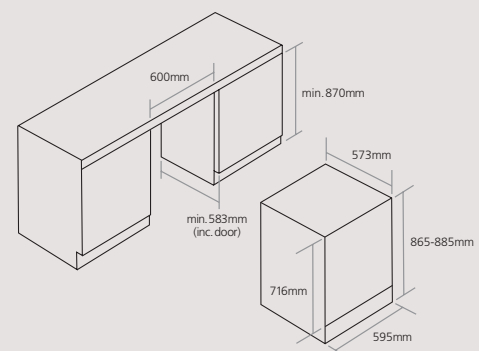
5.15 Cu ft/146 Litre total net capacity  
 5.79 Cu ft/164 Litre total gross capacity

**Optional extras**

3 frosted glass shelves with black plastic trim GSHELFPAK/600

**Undercounter installation**

Stainless steel plinth for air ventilation



**Wi3115**

Undercounter single zone wine cabinet

W 295mm

**Key Features**

- No frost compressor cooling technology maintains a consistent temperature
- Single temperature zone for red or white wine
- Electronic temperature control and LED display
- Temperature range 5°C-18°C
- Converts into can chiller using 5°C setting and optional glass shelving
- UV/heat-free white LED lighting (switchable)
- 100% CFC/HFC free
- Stores max. 19 Bordeaux style wine bottles 750ml
- Vibration free

**Features**

- One piece stainless steel door
- Fan circulated cool air for even temperature distribution
- Air ventilation through height adjustable stainless steel plinth
- Quiet operation 41dB(A)
- Reversible door
- 1 Humidity control water tank
- 5 Sliding shelves and 1 base shelf
- Curved stainless steel handle
- Stainless steel fronted beech shelves
- Glass shelf pack available to convert into a full or part can chiller
- Toughened UV protected glass door
- Black cabinet interior and exterior

**Performance**

- Energy class B
- Energy consumption 184kWh/y
- Ambient temperature 5°C-32°C
- Humidity range >65%RH

**Capacity**

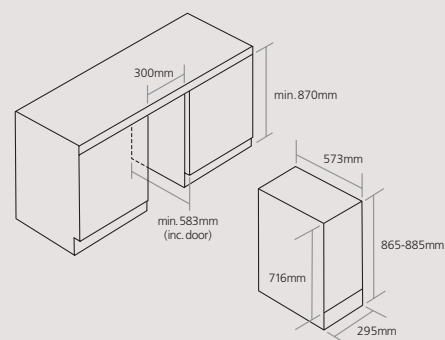
- 2.12 Cu ft/60 Litre total net capacity
- 2.33 Cu ft/66 Litre total gross capacity

**Optional extras**

- 3 frosted glass shelves with black plastic trim GSHELFPACK/300

**Undercounter installation**

Stainless steel plinth for air ventilation



## Wi153

Undercounter single zone wine cabinet

W 145mm



### Key Features

- No frost compressor cooling technology maintains a consistent temperature
- Single temperature zone for red or white wine
- Electronic temperature control and LED display
- Temperature range 5°C-18°C
- UV/heat-free white LED lighting (switchable)
- 100% CFC/HFC free
- Stores max. 7 Bordeaux style wine bottles 750ml
- Not suitable for some champagne bottles
- Vibration free

### Features

- One piece stainless steel door frame
- Fan circulated cool air for even temperature distribution
- Air ventilation through plinth
- Quiet operation 42dB(A)
- Reversible door
- Curved stainless steel handle
- 6 Black wire shelves and 1 base shelf
- Toughened UV protected glass door
- Black cabinet interior and exterior
- Stainless steel ventilation grille

### Performance

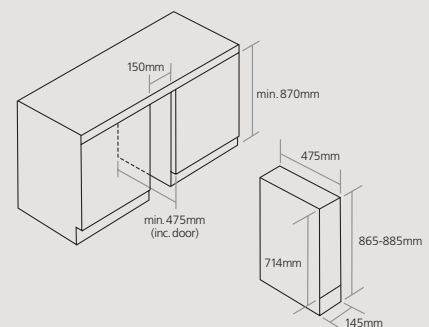
- Energy class B
- Energy consumption 155kwh/y
- Ambient temperature 5°C-32°C
- Humidity range >65%RH

### Capacity

- 0.67 Cu ft/19 Litre total net capacity
- 0.78 Cu ft/22 Litre total gross capacity

### Undercounter installation

Stainless steel plinth for air ventilation





classic in-column cabinets





**WC6215**

In-column dual zone wine cabinet

H 885mm



**Key Features**

- No frost compressor cooling technology maintains a consistent temperature
- Dual stacked temperature zones – independently controlled (upper zone white wine, lower zone red wine)
- Electronic temperature control and LCD display
- Heater raises internal temperature when external temperature drops
- UV/heat-free white LED lighting (switchable)
- Temperature range white zone 5°C-10°C, red zone 10°C-18°C
- 100% CFC/HFC free
- Stores max. 42 Bordeaux style wine bottles 750ml (18 white bottles on upper zone, and 24 red bottles on lower zone)
- Vibration free

**Features**

- One piece stainless steel door
- Fan circulated cool air for even temperature distribution
- Quiet operation 41dB(A)
- Reversible door
- 2 Humidity control water tanks
- White wine zone has 3 sliding shelves
- Red wine zone has 3 sliding shelves and 1 base shelf
- Curved stainless steel handle
- Stainless steel fronted beech shelves
- Toughened UV protected glass door
- Black cabinet interior and exterior
- Audible door alarm when left open

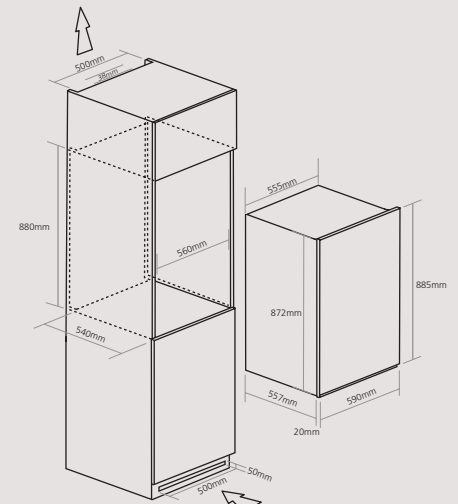
**Performance**

- Energy class B
- Energy consumption 196kWh/y
- Ambient temperature 5°C-32°C
- Humidity range >65%RH

**Capacity**

- 4.13 Cu ft/117 Litre total net capacity
- 4.94 Cu ft/140 Litre total gross capacity

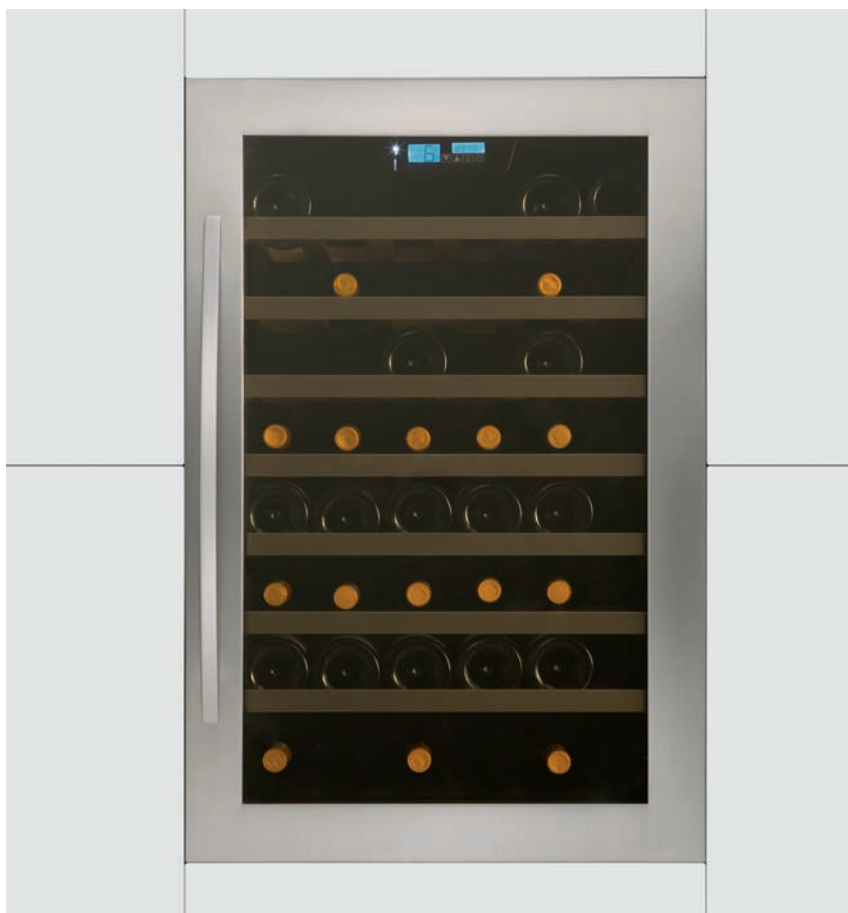
**In-column installation**



**WC6115**

In-column single zone wine cabinet

H 885mm

**Key Features**

No frost compressor cooling technology maintains a consistent temperature

Single temperature zone stores either red or white wine

Electronic temperature control and LCD display

Temperature range 4°C-18°C

UV/heat-free white LED lighting (switchable)

100% CFC/HFC free

Stores max. 46 Bordeaux style wine bottles 750ml

Vibration free

**Features**

One piece stainless steel door

Fan circulated cool air for even temperature distribution

Quiet operation 40dB(A)

Reversible door

1 humidity control water tank

7 sliding shelves and 1 base shelf

Curved stainless steel handle

Stainless steel fronted beech shelves

Toughened UV protected glass door

Black cabinet interior and exterior

Audible door alarm when left open

**Performance**

Energy class B

Energy consumption 156kWh/y

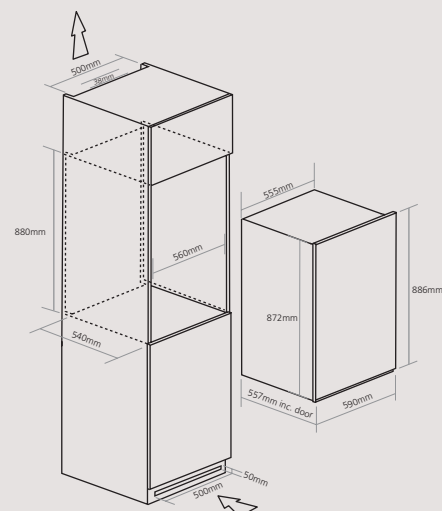
Ambient temperature 5°C-32°C

Humidity range >65%RH

**Capacity**

4.41 Cu ft/125 Litre total net capacity

4.94 Cu ft/140 Litre total gross capacity

**In-column installation**

**WC6111**

In-column single zone wine cabinet

H 455mm



**Key Features**

- No frost compressor cooling technology maintains a consistent temperature
- Single temperature zone stores either red or white wine
- Electronic temperature control and LCD display
- Temperature range 4°C-18°C
- UV/heat-free white LED lighting (switchable)
- 100% CFC/HFC free
- Stores max. 22 Bordeaux style wine bottles 750ml
- Vibration free

**Features**

- One piece stainless steel door
- Fan circulated cool air for even temperature distribution
- Quiet operation 40dB(A)
- Reversible door
- 1 humidity control water tank
- 3 sliding shelves and 1 base shelf
- Curved stainless steel handle
- Stainless steel fronted beech shelves
- Toughened UV protected glass door
- Black cabinet interior and exterior
- Audible door alarm when left open

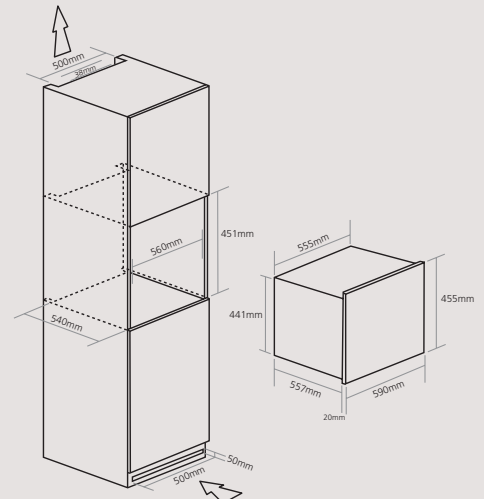
**Performance**

- Energy class B
- Energy consumption 187kWh/y
- Ambient temperature 5°C-32°C
- Humidity range >65%RH

**Capacity**

- 1.91 Cu ft/54 Litre total net capacity
- 2.08 Cu ft/59 Litre total gross capacity

**In-column installation**







# classic freestanding cabinets



**WF1546**

Freestanding triple zone wine cabinet

H 1765mm

**Key Features**

No frost compressor cooling technology maintains a consistent temperature

Triple stacked temperature zones for red, white or sparkling wine, independently controlled:  
 Upper zone temperature range 5°C-18°C  
 Middle zone temperature range 5°C-12°C  
 Lower zone temperature range 12°C-18°C

UV/heat-free white LED lighting (switchable)

Electronic temperature control and LED display

2 Heaters raise internal temperature when external temperature drops

100% CFC/HFC free

Stores max. 132 Bordeaux style wine bottles 750ml (43 bottles on upper zone, 45 bottles on middle zone and 44 bottles on lower zone)

Vibration free

**Features**

One piece stainless steel door  
 Fan circulated cool air for even temperature distribution  
 Air ventilation through stainless steel base plinth grill  
 Quiet operation 45dB(A)  
 3 Humidity control water tanks  
 Reversible door  
 Door lock  
 Upper zone has 1 sliding shelf and 1 display shelf  
 Middle zone has 2 sliding shelves and 1 display shelf  
 Lower zone has 3 sliding shelves and 1 base shelf  
 Stainless steel fronted telescopic beech shelves  
 Toughened UV protected glass door  
 Black cabinet interior and exterior

**Performance**

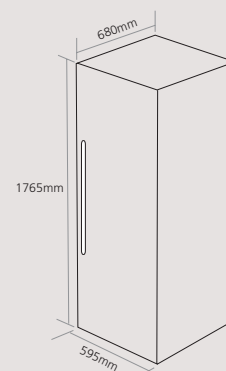
Energy class D  
 Energy consumption 337kWh/y  
 Ambient temperature 5°C-32°C  
 Humidity range >65%RH

**Capacity**

14.23 Cu ft/404 Litre total net capacity  
 15.86 Cu ft/449 Litre total gross capacity

**Freestanding installation**

Can be moved from room to room as required  
 Stainless steel plinth for air ventilation





**WF1544**

Freestanding single zone wine cabinet

H 1765mm

**Key Features**

- No frost compressor cooling technology maintains a consistent temperature
- Single temperature zone for red or white wine
- Temperature range 5°C-18°C
- Electronic temperature control and LED display
- Heater raises internal temperature when external temperature drops
- UV/heat-free white LED lighting (switchable)
- 100% CFC/HFC free
- Stores max. 155 Bordeaux style wine bottles 750ml
- Vibration free

**Features**

- One piece stainless steel door
- Fan circulated cool air for even temperature distribution
- Air ventilation through stainless steel base plinth grill
- Quiet operation 45dB(A)
- 1 Humidity control water tank
- Reversible door
- Door lock
- 11 Sliding shelves, 1 display shelf and 1 base shelf
- Stainless steel fronted telescopic beech shelves
- Curved stainless steel handle
- Toughened UV protected glass door
- Black cabinet interior and exterior

**Performance**

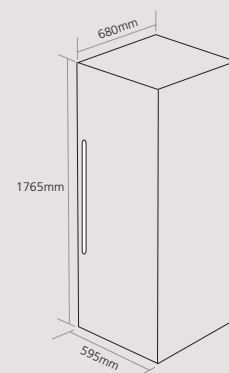
- Energy class D
- Energy consumption 337kWh/y
- Ambient temperature 5°C-32°C
- Humidity range >65%RH

**Capacity**

- 15.04 Cu ft/426 Litre total net capacity
- 16.70 Cu ft/473 Litre total gross capacity

**Freestanding installation**

- Can be moved from room to room as required
- Stainless steel plinth for air ventilation



**WF1104**

Freestanding dual zone wine cabinet

H 1395mm

**Key Features**

No frost compressor cooling technology maintains a consistent temperature

Dual stacked temperature zones for red or white wine, independently controlled

Both zones, temperature range 5°C-18°C

Electronic temperature control and LED display

2 Heaters raise internal temperature when external temperature drops

UV/heat-free white LED lighting (switchable)

100% CFC/HFC free

Stores max. Max. 109 Bordeaux style wine bottles 750ml:

31 in upper compartment

23 in display shelf

55 in lower compartment

Vibration free

**Features**

One piece stainless steel door  
 Fan circulated cool air for even temperature distribution  
 Air ventilation through stainless steel base plinth grill  
 Quiet operation 45dB(A)  
 Reversible door  
 Door lock  
 Upper zone has 2 sliding shelves and 1 display shelf  
 Lower zone has 4 sliding shelves and 1 base shelf  
 2 humidity control water tanks  
 Curved stainless steel handle  
 Stainless steel fronted telescopic beech shelves  
 Toughened UV protected glass door  
 Black cabinet interior and exterior

**Performance**

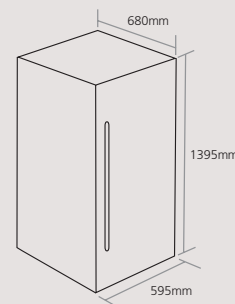
Energy class D  
 Energy consumption 290kWh/y  
 Ambient temperature 5°C-32°C  
 Humidity range >65%RH

**Capacity**

11.02 Cu ft/312 Litre total net capacity  
 12.18 Cu ft/345 Litre total gross capacity

**Freestanding installation**

Can be moved from room to room as required  
 Stainless steel plinth for air ventilation



**WF332**

Freestanding single zone wine cabinet

H 840mm

**Key Features**

No frost compressor cooling technology maintains a consistent temperature

Single temperature zone for red or white wine

Electronic temperature control and LED display

Temperature range 5°C-18°C

100% CFC/HFC free

Stores max. Max. 33 Bordeaux style wine bottles 750ml (4 bottles on top shelf, 10 bottles double stacked on middle two shelves and 9 bottles double stacked on bottom shelf)

**Features**

Stainless steel door frame and handle  
 Top and side heat dispersion  
 Quiet operation 41dB(A)  
 Electronic temperature control  
 Interior light  
 Reversible door  
 1 Humidity control water tank  
 3 Full shelves and 1 half shelf  
 Beech shelves  
 Toughened UV protected glass door  
 Black cabinet interior and exterior

**Performance**

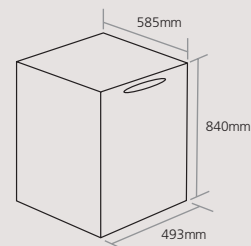
Energy class B  
 Energy consumption 152kWh/y  
 Ambient temperature 5°C-32°C  
 Humidity range >65%RH

**Capacity**

4.38 Cu ft/124 Litre total net capacity  
 4.87 Cu ft/138 Litre total gross capacity

**Freestanding installation**

Can be moved from room to room as required  
 Allow 120mm either side and above for ventilation



**WF121**

Freestanding single zone wine cabinet

H 507mm



**Key Features**

- Single temperature zone for red or white wine
- Temperature range 7°C-18°C
- UV/heat-free white LED lighting (switchable)
- 100% CFC/HFC free
- Max. 12 Bordeaux style wine bottles 750ml

**Features**

- Stainless steel door frame and handle
- Top and side heat dispersion
- Quiet operation 42dB(A)
- Manual temperature control
- Beech shelves
- Toughened UV protected glass door
- Black cabinet interior and exterior

**Performance**

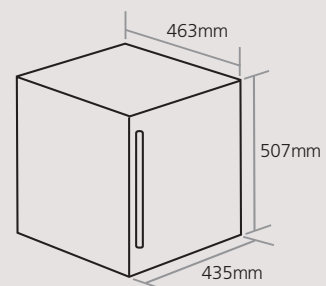
- Energy class A
- Energy consumption 136kWh/y
- Ambient temperature 5°C-32°C

**Capacity**

- 1.63 Cu ft/46 Litre total net capacity
- 2.2 Cu ft/60 Litre total gross capacity

**Freestanding installation**

- Can be moved from room to room as required
- Allow 100mm either side and above for ventilation







All our wine cabinets come with a one year parts and labour guarantee. We can extend this to a three or five year warranty for a small cost if you want extra peace of mind.

### Extended warranty

Our extended warranty increases the protection on any Caple appliance to three or five years. Both options cover the full cost of repairs, including parts and labour, in the event of a breakdown. This extended warranty also protects against breakdown caused through fair wear and tear resulting from above average domestic use.

Extended warranty application forms are included with all appliances. For payments made by direct debit the premium can be spread over ten months. Guarantees are void if an appliance is used for commercial purposes.

Our scheme is backed by Domestic & General Insurance.

**Note:** Our extended warranty is not available in Southern Ireland.

### After Sales Customer Support

**Year 1** Caple – telephone **0844 800 3830**

**Year 2-5** Domestic and General – telephone **0844 481 0100**

Issue: CWC1212

Every effort has been made to reproduce colours and materials accurately, however due to the photography and print processes, colour variations may occur.

Due to our continued product development policy, we reserve the right to modify product specifications and/or dimensions without notice.

Please contact your retailer, call Caple direct on 0117 938 1900, email [info@caple.co.uk](mailto:info@caple.co.uk), or visit our website at [www.caple.co.uk](http://www.caple.co.uk) for further product information.

E & O E



Fourth Way  
Avonmouth  
Bristol  
BS11 8DW

t : 0117 938 1900  
f : 0800 373 163  
e : sales@caple.co.uk  
caple.co.uk

design.living

